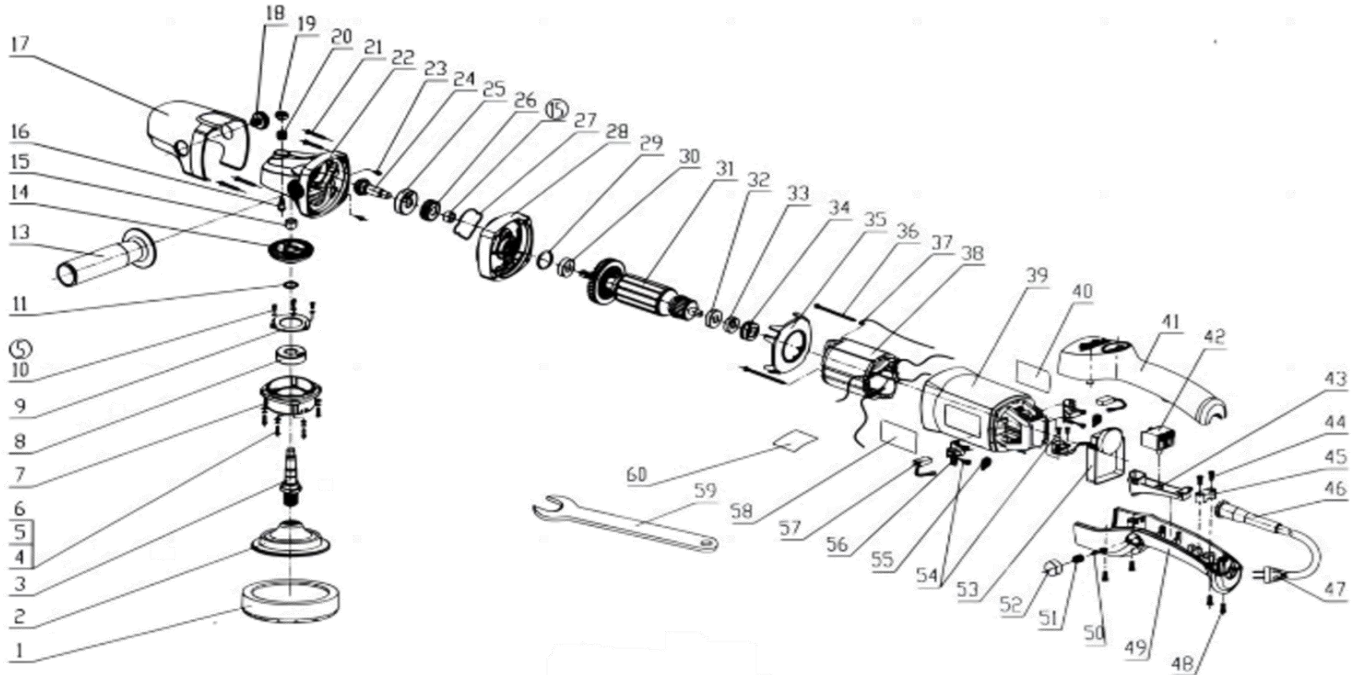


LU5175

Lustreuse électrique 800W- Ø125 mm



| Rep | Réf | Désignation | Qté | Rep | Réf | Désignation | Qté |
|-----|------------|-----------------------|-----|-----|------------|-------------------------|-----|
| 1 | LU-5175-1 | tampon lustrage | opt | 32 | LU-5175-32 | Rondelle aimantée | 1 |
| 2 | LU-5175-2 | Plateau support | 1 | 33 | LU-5175-33 | Roulement 607 | 1 |
| 3 | LU-5175-3 | Arbre | 1 | 34 | LU-5175-34 | Support roulement | 1 |
| 4 | LU-5175-4 | Vis M4x14 | 4 | 35 | LU-5175-35 | Protection | 1 |
| 5 | LU-5175-5 | Rondelle élastique Ø4 | 7 | 36 | LU-5175-36 | Vis ST4,2x70 | 2 |
| 6 | LU-5175-6 | rondelle Ø4 | 4 | 37 | LU-5175-37 | Câble | 1 |
| 7 | LU-5175-7 | Carter | 1 | 38 | LU-5175-38 | Stator | 1 |
| 8 | LU-5175-8 | Roulement 6201 | 1 | 39 | LU-5175-39 | Carter du stator | 1 |
| 9 | LU-5175-9 | Collier | 1 | 40 | LU-5175-40 | Label | 1 |
| 10 | LU-5175-10 | Vis M4x10 | 3 | 41 | LU-5175-41 | Carter sup poignée arr | 1 |
| 11 | LU-5175-11 | Clips | 1 | 42 | LU-5175-42 | Switch | 1 |
| 13 | LU-5175-13 | Poignée latérale | 1 | 43 | LU-5175-43 | Gâchette | 1 |
| 14 | LU-5175-14 | Couronne | 1 | 44 | LU-5175-44 | Vis ST 4,2x14 | 2 |
| 15 | LU-5175-15 | Roulement huilé | 2 | 45 | LU-5175-45 | Pince de cordon | 1 |
| 16 | LU-5175-16 | Bloqueur d'axe | 1 | 46 | LU-5175-46 | Protection cordon | 1 |
| 17 | LU-5175-17 | Capot avant | 1 | 47 | LU-5175-47 | Cordon alimentation | 1 |
| 18 | LU-5175-18 | Vis plastique | 2 | 48 | LU-5175-48 | Vis ST 4,2x16 | 4 |
| 19 | LU-5175-19 | Bouton blocage arbre | 1 | 49 | LU-5175-49 | Carter inf poignée arr | 1 |
| 20 | LU-5175-20 | Entretoise ressort | 1 | 50 | LU-5175-50 | Axe gâchette | 1 |
| 21 | LU-5175-21 | Vis ST4,2x25 | 4 | 51 | LU-5175-51 | Ressort | 1 |
| 22 | LU-5175-22 | Cater de tête | 1 | 52 | LU-5175-52 | Bouton blocage gâchette | 1 |
| 23 | LU-5175-23 | Vis M4x8 | 2 | 53 | LU-5175-53 | Contrôle | 1 |
| 24 | LU-5175-24 | Arbre transmission | 1 | 54 | LU-5175-54 | Vis ST3x8 | 6 |
| 25 | LU-5175-25 | Roulement 6200 | 1 | 55 | LU-5175-55 | Ressort | 2 |
| 26 | LU-5175-26 | Pignon conique | 1 | 56 | LU-5175-56 | Support pour charbon | 2 |
| 27 | LU-5175-27 | Joint | 1 | 57 | LU-5175-57 | Charbon | 2 |
| 28 | LU-5175-28 | support roulement | 1 | 58 | LU-5175-58 | Label | 1 |
| 29 | LU-5175-29 | Joint 1,8x21,2 | 1 | 59 | LU-5175-59 | Clé | 1 |
| 30 | LU-5175-30 | Roulement 608 | 1 | 60 | LU-5175-60 | Etiquette vitesse | 1 |
| 31 | LU-5175-31 | Rotor | 1 | | | | |